

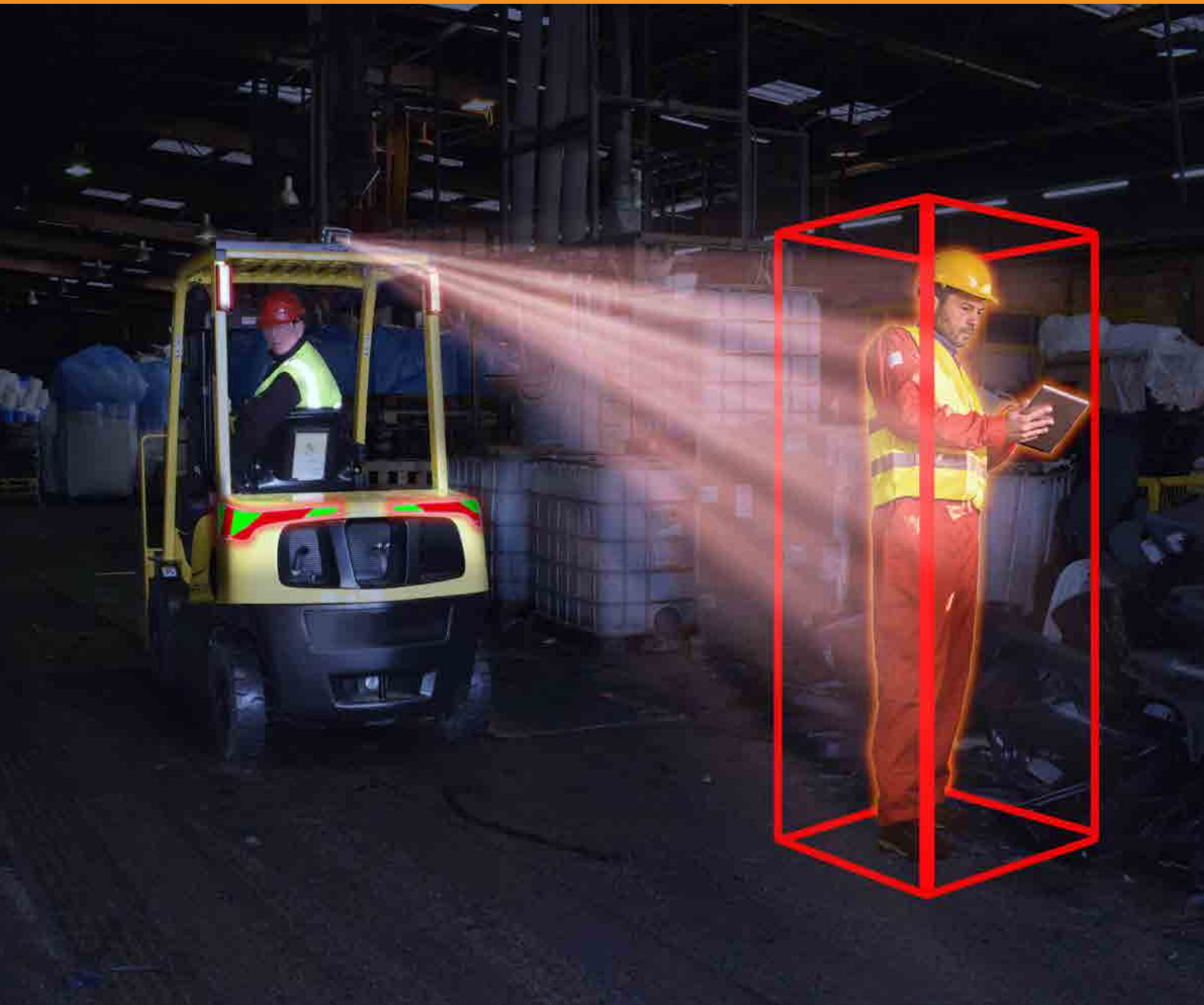


**FTC**  
SAFETY  
SOLUTIONS

# PEDESTRIAN DETECTION CAMERA

Differentiates between people and objects

PART OF THE **CONNECTED SOLUTIONS RANGE**



**DISTINGUISHES BETWEEN OBJECTS AND PEDESTRIANS**

**NO NEED FOR TAGS OR HIGH VISIBILITY VESTS**

## What is the Pedestrian Detection Camera system?

The FTC Pedestrian Detection Camera System utilises the latest AI and machine learning to help operators be more aware of pedestrians working in the vicinity of materials handling equipment, in all environments.

Designed to enhance forklift operations and prevent accidents, our Pedestrian Detection Camera System is a game-changer in workplace safety. With its intelligent AI capabilities and machine learning, it provides real-time detection and alerts to help operators avoid collisions with pedestrians, minimising the risk of injuries and damages.

With the ability to differentiate between objects and pedestrians the FTC camera system is one of the most advanced pedestrian safety systems available. It is usually installed with one rear-facing camera on smaller machines, however, up to 4 cameras can be integrated to offer up to 360° coverage if required on larger vehicles.

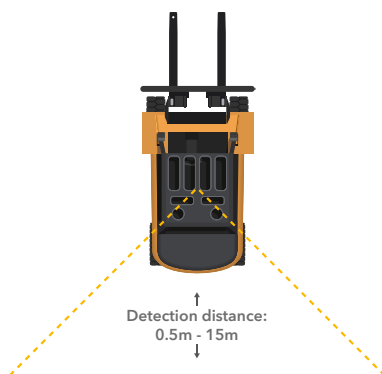
The system works using an algorithm that detects moving and static pedestrians and alerts the operator to the presence of potential hazards. The in-cab screen outlines the position of the pedestrian/s and the distance from the vehicle giving the operator more confidence.

This system does not rely on the use of tags or high visibility vests to detect pedestrians, ensuring site wide coverage regardless of site PPE standards. Forklift operators, owners and pedestrians are therefore protected within busy environments at all times.

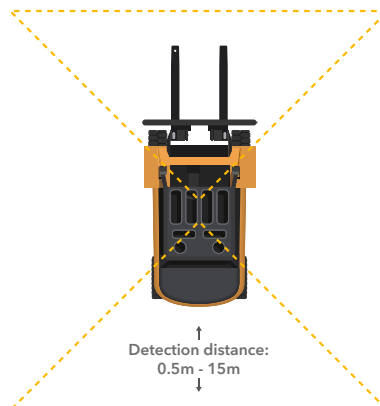
### Camera System Options

Choose your (1, 2 or 4) camera configuration depending on truck size, type and activity

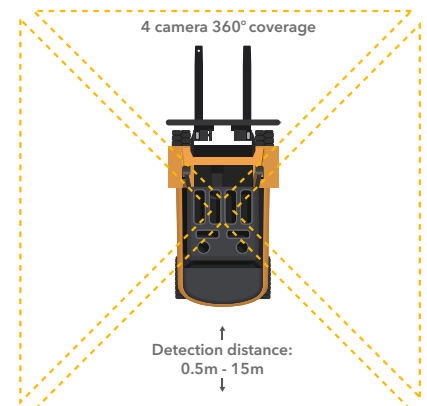
#### 1 Camera



#### 2 Cameras



#### 4 Cameras



## Driver notification options

The driver can be alerted in a number of ways:

In-cab screen

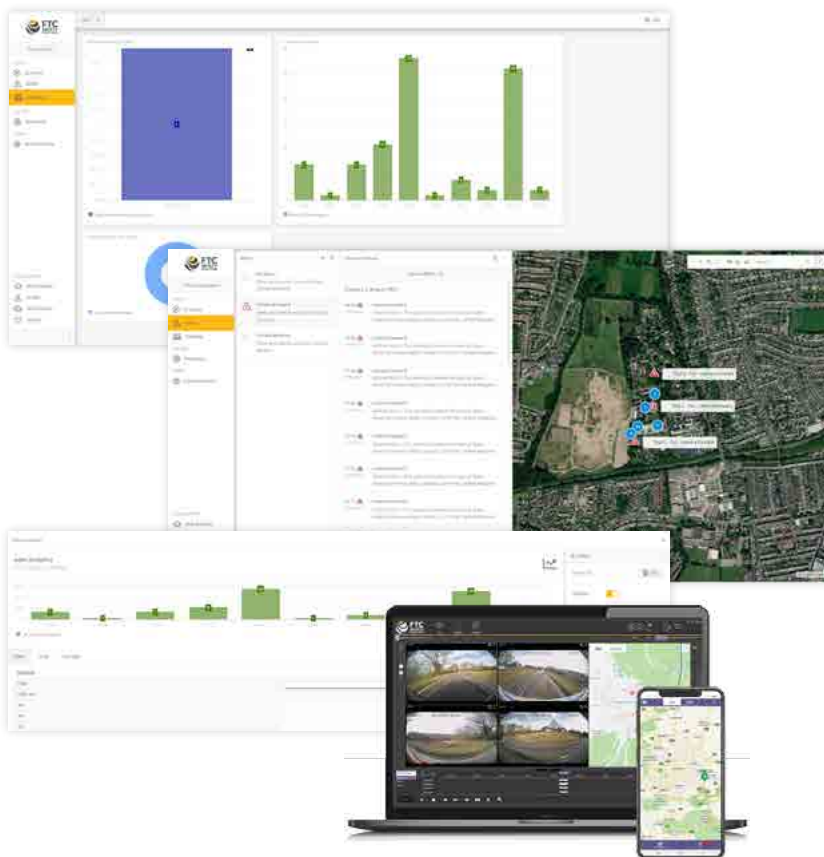
DAD (Driver Alert Display)

A simple discrete sounder or LED beacon

Creep speed activation (truck dependent)

## Cloud-based analytics

Now with optional enhanced cloud-based analytics, The Pedestrian Detection Camera's extensive reporting details high risks and behaviours giving fleet managers a valuable tool for increasing safety and minimising costs, with the added benefit of being able to track pedestrian activity in real time.



Location



High risk vehicles



Incident recording/tracking



High risk areas



Frequency



Remote access



Length of time



Real time asset tracking

## Benefits

- Distinguishes between objects and pedestrians
- GPS/GPRS live remote access to all cameras and vehicles
- No tags or high visibility vests required
- Continual recording facility
- Up to 360° coverage
- Lower risk and assist with target zero
- Can help to increase site efficiency
- Helps protect against vehicle and pedestrian incidents
- Robust and hardwearing
- Can be installed on any handling equipment
- Audible and visual alert with both internal and external options
- Can work in conjunction with other FTC safety solutions
- Option of customised dash display or HD screen



Please note the FTC Pedestrian Detection Camera is designed to act as a driver aid and will not replace adequate training and safe driving practices.

**Standard Features:**



IP69 Rated Camera with 140° of Vision



IP66 Rated Touch Screen

or



IP65 Rated Directional In-Cab Display (DAD) System

**Optional Upgrades:**



Radar Reversing System



Wi-Fi Capability



GPS Tracking



Internal Accelerometer



SSD Drive



MDVR (with SSD) Continual Recording System



GPS Tracking\*



Asset Tracking Module

\*Only relevant with the MDVR unit

**IP65 Rated Directional In-Cab Display (DAD) System STANDARD**

**Pedestrian hazard locator**

This unit is a user-friendly display panel designed to assist operators in identifying the exact location of pedestrians that are too close to hazardous equipment. Checking an in-cab screen can take attention away from operating the vehicle, this new alert has an adjustable sounder so hazards can be identified rapidly without distraction. The unit is designed to be used either instead of, or in conjunction with our full HD monitor.

**Optafleet Advanced Fleet Management OPTIONAL**

**Offers detailed insights into high-risk contact areas**

Messaging between fleet manager and vehicle, self-expiring drivers keys/cards, live notifications and configurable safety check screen are among the many features available on this cloud-based IP67 system.

**Asset tracking OPTIONAL**

**Offers detailed insights into high-risk contact areas**

With enhanced cloud-based analytics, extensive reporting details high risks and behaviours - giving fleet managers a valuable tool for increasing safety and minimising costs, with the added benefit of being able to track all fleet assets in real time.

**Radar Reversing System OPTIONAL**

**Detects static objects as well as pedestrians**

Using the latest technology to detect stationary objects and pedestrians in potentially dangerous positions, the radar with an integrated camera provides both a visual alert and an audible warning to the driver.

**Continual Recording Camera System OPTIONAL**

**Records critical data that can be used in insurance claims**

Our customers have seen many benefits when using this system - higher driving standards, better loading and unloading, lower damage costs, and greatly improved efficiency. Also includes a GPS tracking facility.

**GPS/GPRS OPTIONAL**

**Offers live access to all cameras on all plant and live positioning/tracking**

GPS and GPRS functionality allows owners to access their assets live, giving access to all fitted cameras and the ability to pull previous footage if required, Google positioning also allows 'touch-of-the-button' fleet management in terms of assurance of where assets are at any given time.





**SAFEGUARDS TRUCK OPERATIONS & PERSONNEL**

**VISUAL SAFETY WARNING DEVICES**



[ftcsafety.com](https://ftcsafety.com)

FTC Safety Solutions Ltd  
Unit 8 Elizabeth Business Park  
Tigers Close  
Wigston  
Leicestershire LE18 4AE  
United Kingdom

**Tel:** +44 (0) 1162 780 391

**Email:** [info@ftcss.co.uk](mailto:info@ftcss.co.uk)